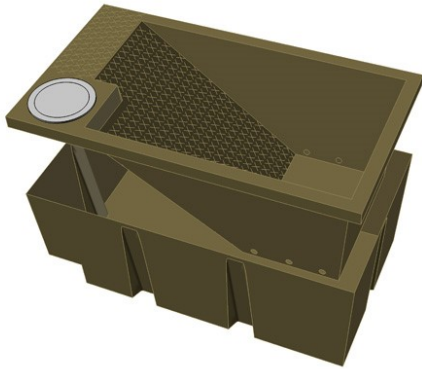


# Install Tips

## Drinker-40 and Drinker-110



### Connecting the Waterline

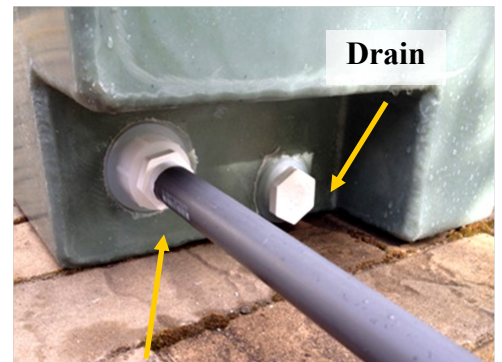
If you are connecting the drinker to a hose, we have included a simple 3/4" hose coupling and reducer for your convenience. Screw this assembly into the 1" threaded fitting going into the float-valve.



For a direct waterline connection, screw your water line into the threaded, 1" pipe fitting.

If your water line-in is a different size, you'll want to add a reducer.

**Note: Install the lid and bolts before filling the drinker with water. It will be harder to fit the lid back onto the base if the tank is full.**



**Screw Your Water Line Into This 1" Threaded Fitting**



### Adjusting The Water Level

The water level will be determined by the level of the float. We have pre-adjusted the float so that it is near the maximum level. As shown in the picture, the float should not be adjusted past the top of the tank or it will bottom out against the lid and the float-valve will not shut off properly.

The easiest way to adjust the water level higher or lower is to undo the stainless steel clip and move it up or down on the chain. You can also adjust the armature by loosening the wing nut. Be sure to snugly tighten the wing-nut.